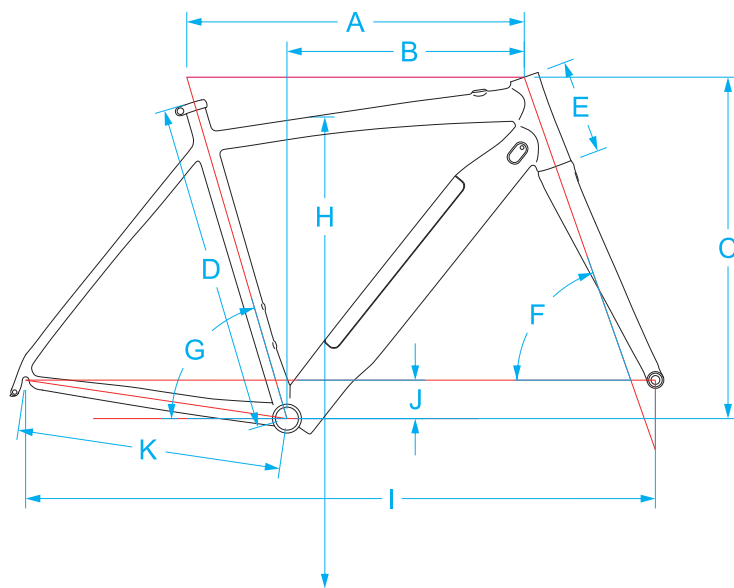


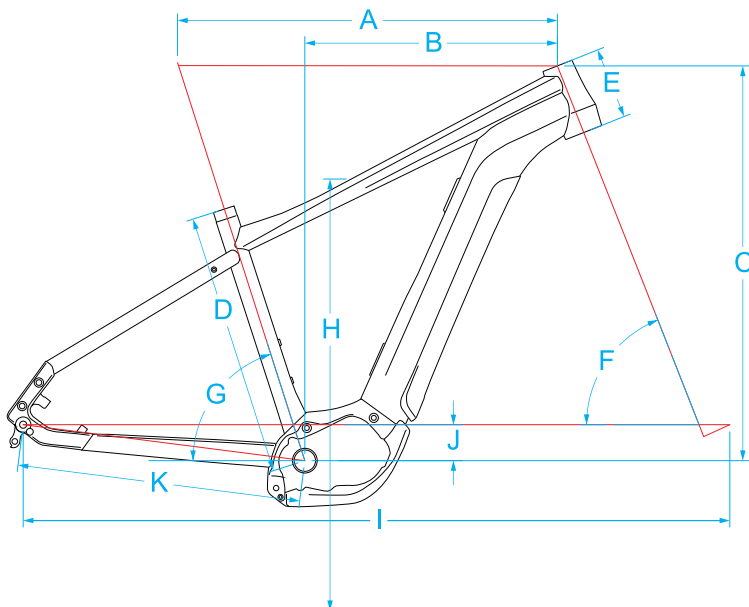
GEOMETRY

Jシリーズ



MODEL NAME	size	A	B	C	D	E	F	G	H	I	J	K
JR1	XS	515	364	509	480	110	70°	73.5°	730	986	70	420
	M	546	381	555	530	150	72.5°	73.5°	780	955	70	420
JF1	XS	530	370	540	410	110	69.5°	73.5°	730	1044	70	450
	M	560	392	566	455	130	71.5°	73.5°	755	1056	70	450

TRシリーズ



MODEL NAME	size	A	B	C	D	E	F	G	H	I	J	K
TRS1	XS	575	383	628	395	105	51°	73.0°	764	1108	60	458-422 [*]
TRS2 AM	S	590	417	604	400	100	66.5°	69.5°	772	1172	15.7	450
	M	610	434	613	425	110	66.5°	69.5°	774	1194	15.7	450
TRS2 XC	S	580	404	627	400	105	68.5°	72.0°	763	1128	60.7	450
	M	600	412	636	425	115	68.5°	72.0°	781	1139	60.7	450

※3段階調整式